



EA-193-40

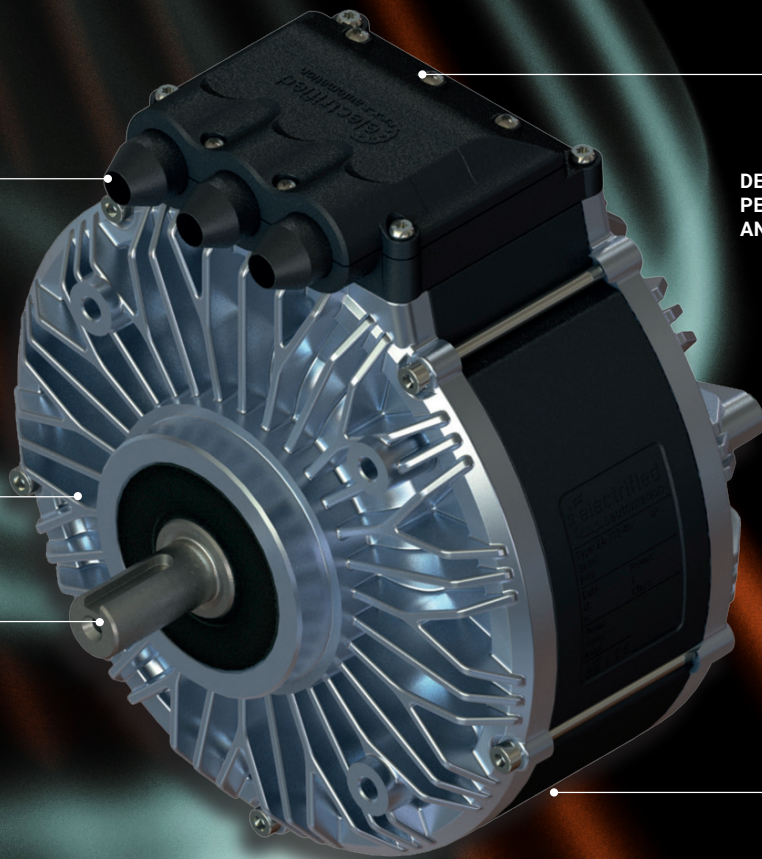
LOW VOLTAGE IPM MOTOR



LIGHT AND COMPACT

THROUGH SHAFT
CAPABILITY

OPTIMISED FOR REPEATABLE,
SCALEABLE AUTOMATED
MANUFACTURING



DELIVERS MAXIMUM
PERFORMANCE, POWER
AND EFFICIENCY

HIGH POWER
DENSITY

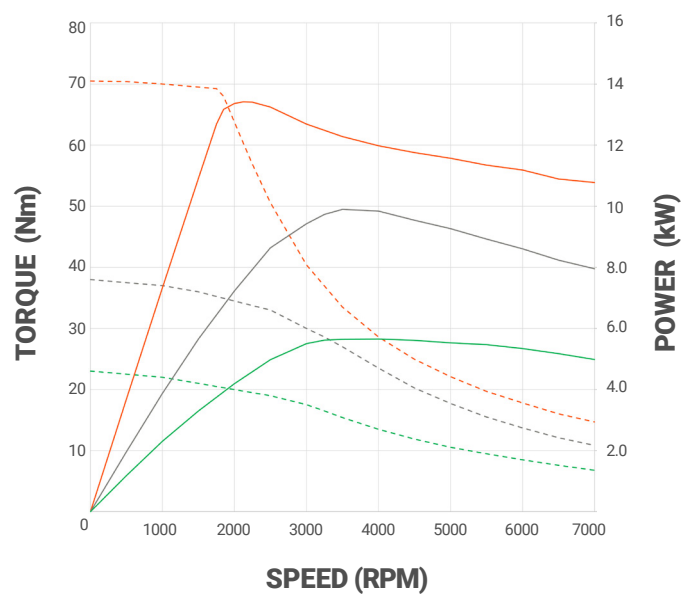
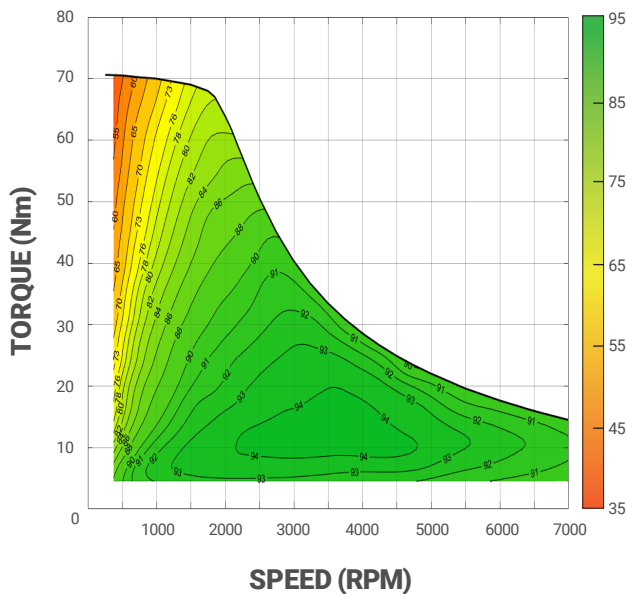
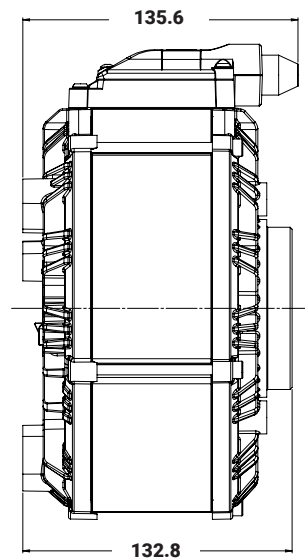
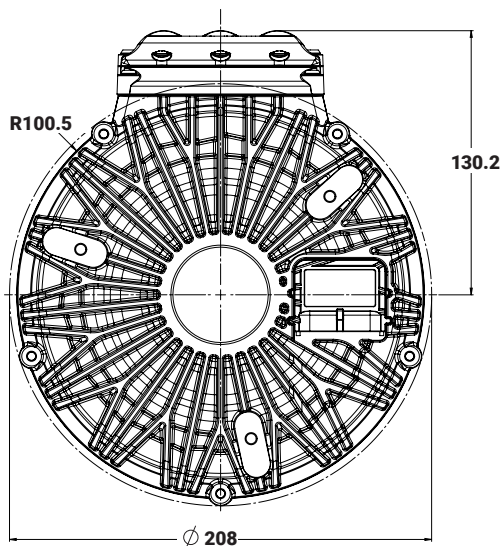
| 193-40-18A+ (48V) |

193-40-18A+ (48V)

PRODUCT SPECIFICATION



NOMINAL VOLTAGE	PEAK TORQUE @550ARMS	PEAK POWER [S2-5]	RATED POWER [S2-60]	MAXIMUM SPEED	MOTOR WEIGHT
48V	70Nm	13.4kW	5.5kW	7000RPM	11.4kg



*DATA RECORDED AT 25°C AMBIENT

--- TORQUE[S2-1] --- TORQUE[S2-10] --- TORQUE[S2-60]
--- POWER[S2-1] --- POWER[S2-10] --- POWER[S2-60]